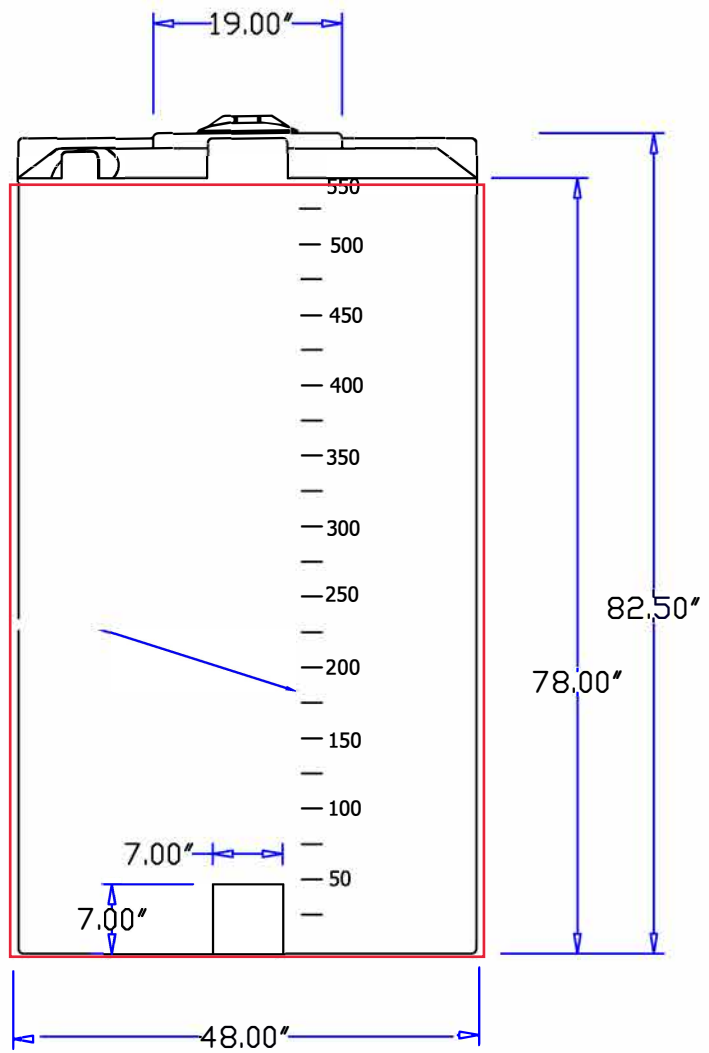
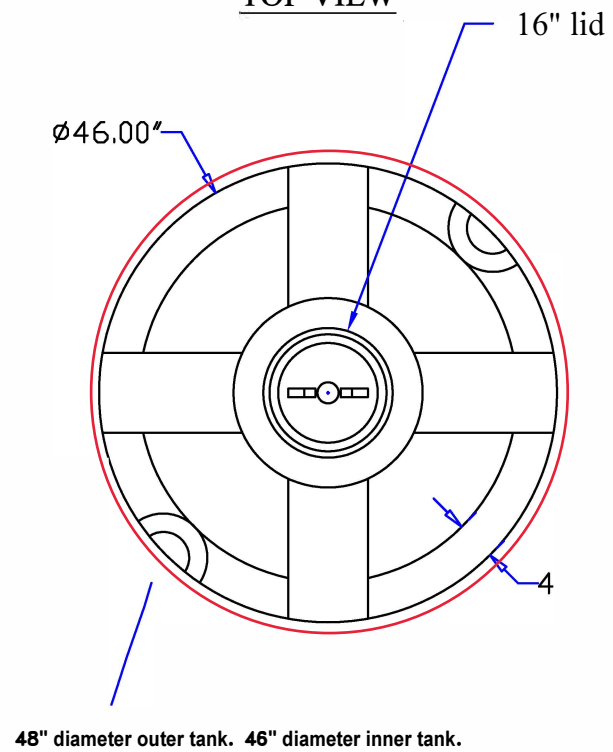


SIDE VIEW



TOP VIEW



				DRAWN / DATE		MATERIAL / SHOT WEIGHT	
				APPRD. / DATE		HDPE	
REV	DESCRIPTION	DATE	APPRD	NOTES:			
ALL DIMENSIONS ARE IN DECIMAL INCHES TOLERANCES UNLESS OTHERWISE SPECIFIED ± .5% ● 68° F							
THIRD ANGLE PROJECTION ANSI 14.5M 							

BAILIFF ENTERPRISES, INC.
302 N THOMASON ST WILLIS, TEXAS 77378

550 GALLON DOUBLE WALL VERTICAL TANK

SCALE N.S.	PART NO. VTBDC550-48
---------------	-------------------------